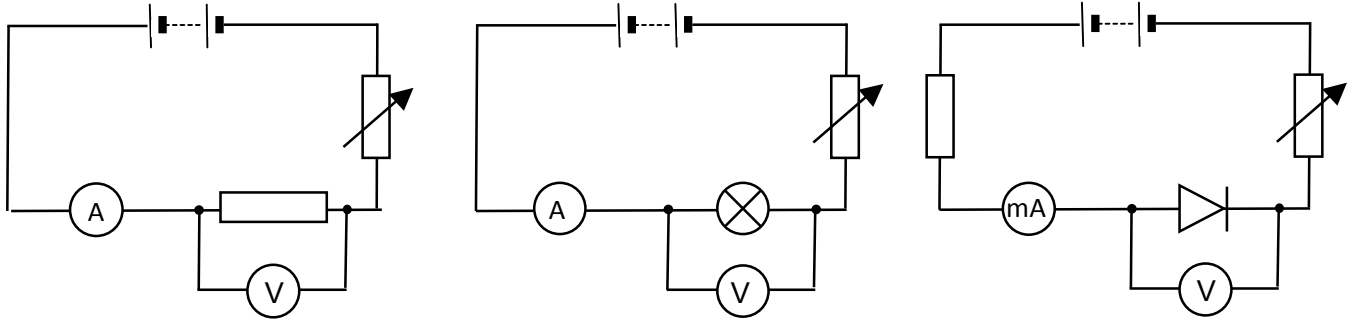




Physics: Required Practical 3

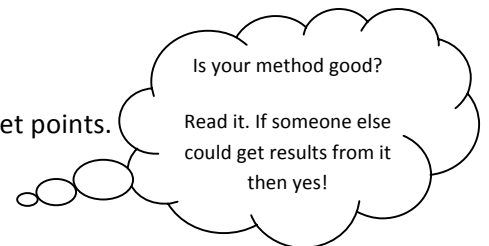


- 🍏 What is this required practical about?

- 🍏 Label the equipment in each diagram.

- 🍏 Think about how you carried out the first circuit practical.

Write a logical and comprehensive method, using numbered bullet points.



- 🍏 Recall the equation that links current and voltage.

🍏 What does an ammeter measure, and what are the units? (there are two words that can be used interchangeably here, give them both)

.....

🍏 What does a voltmeter measure, and what are the units?

.....

🍏 What does a resistor measure, and what are the units?

.....

🍏 Which equation is used to represent a linear relationship?

.....

🍏 When recording results from the experiments above, why should the student ensure all of results are recorded to the same number of significant figures?

.....

.....

🍏 What is the difference between significant figures and decimal places?

.....

.....

🍏 Sketch the results you would expect to see for each of the following:

Resistor/wire

Filament Lamp

Diode

