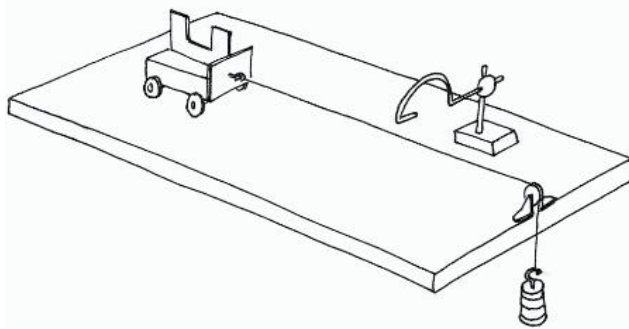




Physics: Required Practical 6



🍏 What is this required practical about?

.....

🍏 What piece of equipment is used to measure length?

.....

🍏 What piece of equipment is used to measure mass?

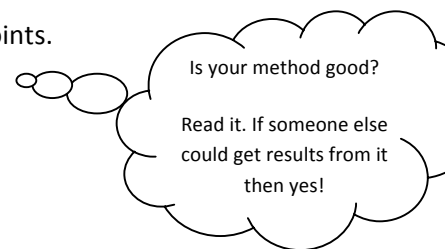
.....

🍏 What piece of equipment is used to measure time?

.....

🍏 Think about how you carried out this practical.

Write a logical and comprehensive method, using numbered bullet points.



- 🍏 Recall the equation to calculate speed.
Give the units for each part of the equation.

- 🍏 Recall the equation to calculate acceleration.
Give the units for each part of the equation.

- 🍏 Why are speed and acceleration always represented as averages?

.....

.....

- 🍏 Recall Newton's Second Law.

.....

.....

- 🍏 Recall the equation to calculate resultant force.
Give the units for each part of the equation.

- 🍏 An alternative method to measure motion is to use light gates, a picture is below. Why might these be more accurate than the method you used to work out acceleration?



.....

.....

.....

.....

.....